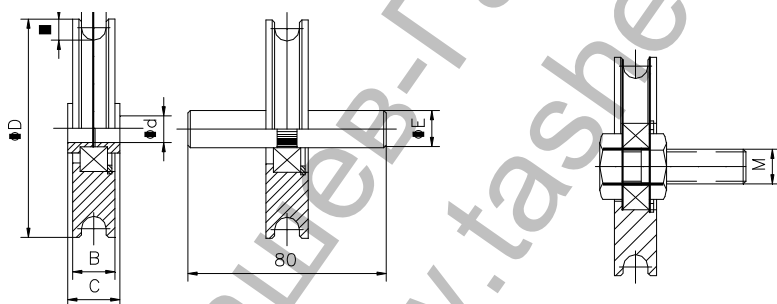


Ролка Estebro® за плъзгащи се врати с втулка ф 150x10 мм, стоманена, U-10



| Cod | Dimens. | ØD | A | B | C | Ød | ØE | M | | | Peso Max. Kg |
|-----|---------|-----|---|----|----|----|----|-------|------|-------|--------------|
| 100 | 45x10 | 45 | 8 | 16 | . | 10 | . | 30 | 4,30 | 196 | |
| 101 | 60x10 | 58 | 8 | 17 | 22 | 12 | 15 | 14x50 | 30 | 6,30 | 375 |
| 102 | 70x10 | 68 | 9 | 17 | 22 | 12 | 15 | 14x50 | 24 | 7,45 | 375 |
| 103 | 80x10 | 78 | 9 | 17 | 22 | 12 | 15 | 14x50 | 15 | 6,75 | 375 |
| 104 | 90x10 | 88 | 9 | 17 | 22 | 12 | 15 | 14x50 | 12 | 7,30 | 375 |
| 105 | 100x10 | 98 | 9 | 17 | 22 | 12 | 15 | 14x50 | 12 | 9,35 | 375 |
| 106 | 120x10 | 118 | 9 | 17 | 22 | 12 | 15 | 14x50 | 7 | 8,40 | 375 |
| 111 | 150x10 | 147 | 9 | 19 | 32 | 16 | 20 | 16x50 | 4 | 8,65 | 655 |
| 116 | 180x10 | 177 | 9 | 19 | 32 | 16 | 20 | 16x50 | 4 | 13,04 | 655 |
| 112 | 200x10 | 197 | 9 | 19 | 32 | 16 | 20 | 16x50 | 4 | 16,35 | 655 |
| 143 | 250x10 | 247 | 9 | 19 | 32 | 16 | 20 | 16x50 | 3 | 20,00 | 655 |

Family: Wheels

Material: 11SMn30 steel

Finish: Zinc-plated

Maximum weight supported by the bearing*: See table **Description:** Wheel with bearing 6202 2RS. It is normally installed on overhead doors to allow the displacement of the cable. It can be supplied with reducing sleeves to 12 mm, with an axle of Ø 15 mm and 80 mm long, or with a M.14x50 screw.

***In perfect conditions of installation, usage and maintenance.**

Продукт: [Ролка Estebro® за плъзгаци се врати с втулка ф 150x10 мм, стоманена, U-10](#)

Категория: [Плъзгаци се врати](#)

Бранд: [Estebro®](#)

Категория бранд: [Ролка Estebro®](#)

Ташев-Галвинг ООД
www.tashev-galving.com